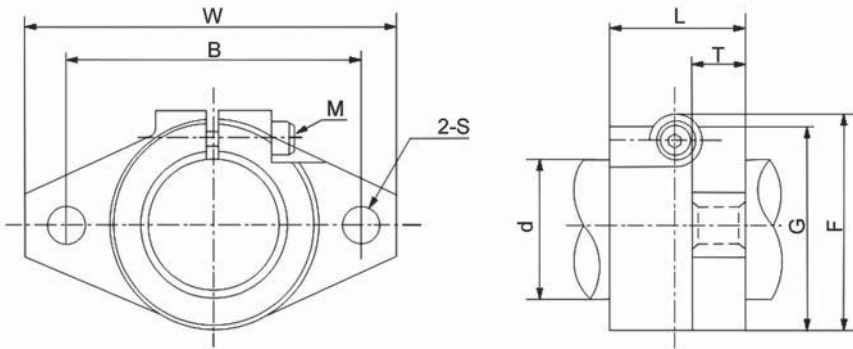


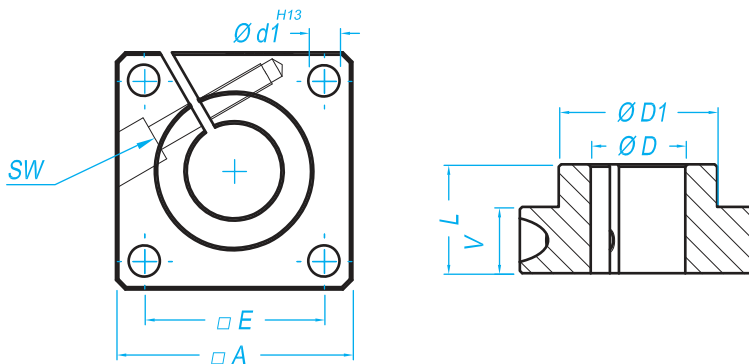
**Type SHF**



Support aluminium

| Référence<br>Type | Dimensions - mm |     |    |    |    |    |    |     | Vis<br>de serrage<br>M | Poids<br>Weight |
|-------------------|-----------------|-----|----|----|----|----|----|-----|------------------------|-----------------|
|                   | Ø d             | W   | L  | T  | F  | G  | B  | S   |                        | g               |
| SHF12             | 12              | 47  | 13 | 7  | 28 | 25 | 36 | 5,5 | M4                     | 25              |
| SHF16             | 16              | 50  | 16 | 8  | 31 | 28 | 40 | 5,5 | M4                     | 34              |
| SHF20             | 20              | 60  | 20 | 8  | 37 | 34 | 48 | 7   | M5                     | 54              |
| SHF25             | 25              | 70  | 25 | 10 | 42 | 40 | 56 | 7   | M6                     | 83              |
| SHF30             | 30              | 80  | 30 | 12 | 50 | 46 | 64 | 9   | M6                     | 124             |
| SHF35             | 35              | 92  | 35 | 14 | 58 | 50 | 72 | 12  | M8                     | 194             |
| SHF40             | 40              | 102 | 40 | 16 | 67 | 56 | 80 | 12  | M10                    | 266             |
| SHF50             | 50              | 122 | 50 | 19 | 83 | 70 | 96 | 14  | M12                    | 491             |

**Type SFWR**



Support aluminium

| Référence<br>Type | Dimensions - mm |     |    |      |    |      |    |    | Poids<br>Weight |
|-------------------|-----------------|-----|----|------|----|------|----|----|-----------------|
|                   | Ø D             | A   | L  | Ø D1 | E  | Ø d1 | V  | SW | g               |
| SFWR12            | 12              | 40  | 20 | 23,5 | 30 | 5,5  | 12 | M3 | 50              |
| SFWR16            | 16              | 50  | 20 | 27,5 | 35 | 5,5  | 12 | M3 | 80              |
| SFWR20            | 20              | 50  | 23 | 33,5 | 38 | 6,6  | 14 | M4 | 100             |
| SFWR25            | 25              | 60  | 25 | 42   | 42 | 6,6  | 16 | M5 | 150             |
| SFWR30            | 30              | 70  | 30 | 49,5 | 54 | 9    | 19 | M6 | 240             |
| SFWR40            | 40              | 100 | 40 | 65   | 68 | 11   | 26 | M8 | 660             |
| SFWR50            | 50              | 100 | 50 | 75   | 75 | 11   | 36 | M8 | 820             |